

RINO^{Led}-EX

RINO ATEX

STAINLESS STEEL

Watertight Linear lighting fixtures for installation in areas at risk of explosive atmospheres as defined in ATEX Directive 2014/34/EU

Equipped with LED strips, installed on an ultra bright aluminium reflector and the diffuser in tempered glass without the metallic frame



Dust and water jets/immersion



High level of impact resistance



TECHNICAL SUPPORT

LDT files & lighting schemes



CORROSION C4

as per ISO 9223



FLICKER FREE



RISK GROUP ZERO



ENERGY SAVING

Technical specifications



Ex

ATEX products are required in places such as carpentries, bakeries, garages, thermal plants and pharmaceutical industries.



IMQ 07 ATEX Q 001

The production quality system is certified to guarantee the safety of the products installed in potentially explosive atmosphere.

	GAS			DUST		
ZONE	0	1	2	20	21	22
USABLE			X			X

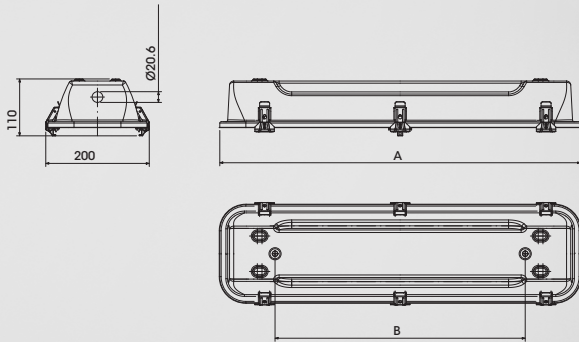
Technical specifications

Conformity to standards	Directive 2014/35/EU EN 60598-1:2015 EN 60598-2-1:1997 EN 62471:2008 EN 60598-2-22:2014 Directive 2014/30/EU EN 62493:2015 Directive 2011/65/EU Directive 2014/34/EU EN 60079-0:2012+A11:2013 EN 60079-15:2010 EN 60079-31:2014
ATEX execution	II 3G 3D Ex nR IIC T6 Gc Ex tc IIIC T 70 °C Dc
Body material	Stainless steel AISI 304 Zinc and powder coated steel
Diffuser material	Tempered glass

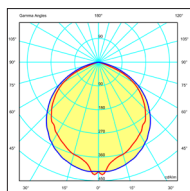
Painting	Non-toxic polyester resistant to weather conditions and UV rays
Colour	RAL 9016 (zinc and powder coated steel version)
LED Colour Temperature	4000 K
CRI	≥ 80
Insulation class	I
Rated voltage	230V 50-60Hz
Power factor	≥ 0,9
Max cable section	2,5 mm ²
Estimated device lifetime	L80 B10 @50.000h Tq=25°C
Storage temperature	-40 °C - +70 °C
Operating temperature	-25°C - +40°C

Rino LED - Atex

LED Linear Lighting for Ceiling / Wall mounting
Suitable for ZONE 2 (GAS) and 22 (DUST)



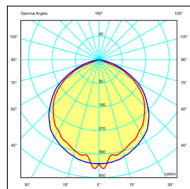
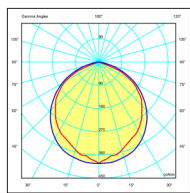
LED type	A (mm)	B (mm)
20W - 22W - 24W - 40W (2x20)	690	480
38W - 40W (20+20) - 48W	1300	1090
44W - 58W	1600	1395



Extra Wide beam

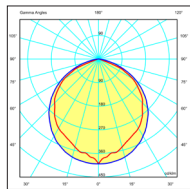
Glass Diffuser
Stainless Steel

Power (W)	Dimensions (mm)	Luminous flux (lm) Tj= 25 °C	Part numbers	Power Supply
24W	690X200X100 mm	3300lm	822142EX	Electronic
38W	1300X200X100 mm	5600lm	822242EX	
44W	1600X200X100 mm	6500lm	822342EX	



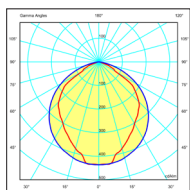
Other options available in

Powder coated Steel



Also available

Linear Fluorescent lighting fixtures



CORROSION C4
as for Per ISO9223



IP66
Dust and water jets/immersion



IK09
High impact resistance



ENERGY SAVING

CLASSIFICATION

Insulation Class I

LED

4000K
CRI>80

CONSTRUCTION

Body:Stainless steel AISI304
Diffuser:Tempered glass.

Anti-scratch passivation treatment

Equipment included:

Pair of hooks in AISI 304 steel for pendant installation, code 820001.
Note: the declared values may be subject to a tolerance of +/- 7%